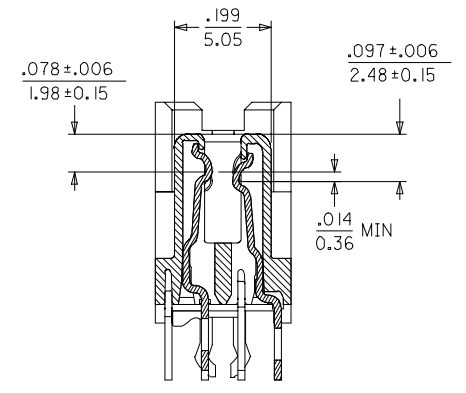
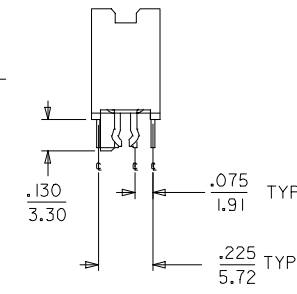
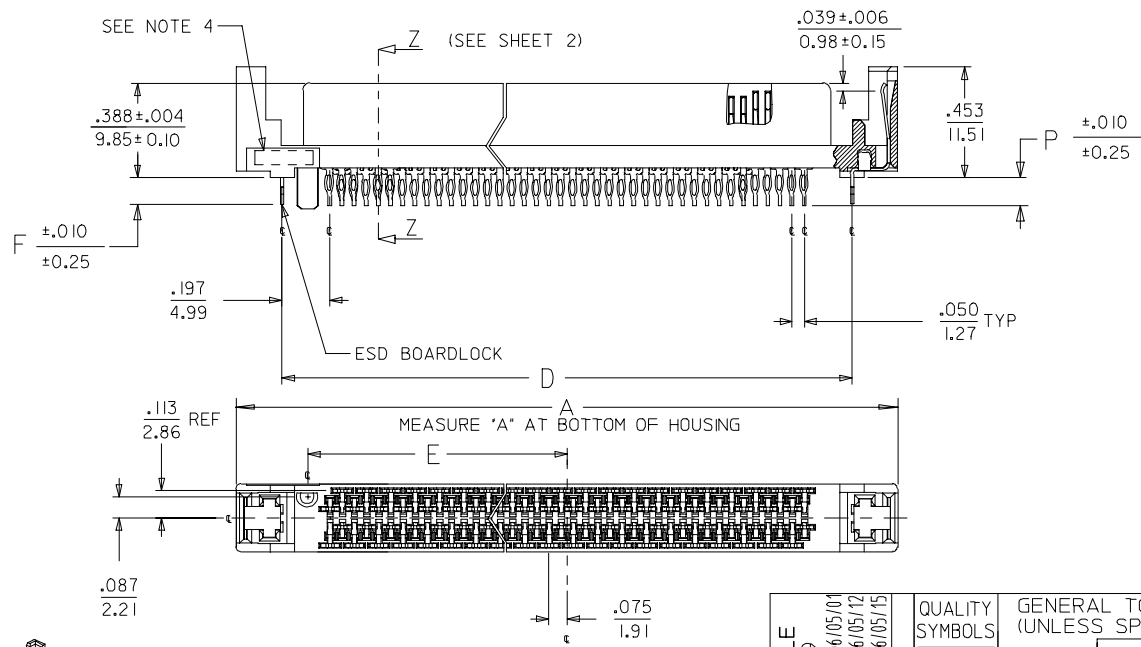
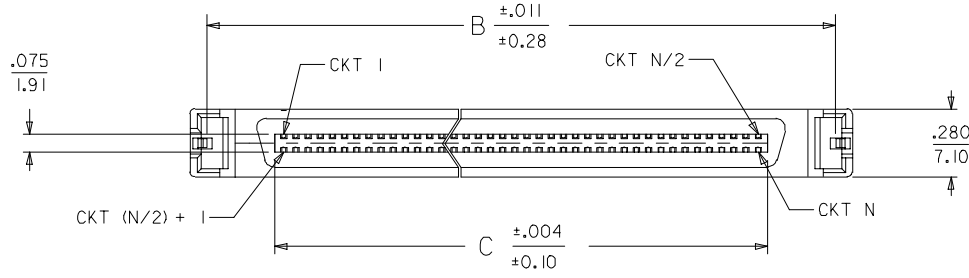


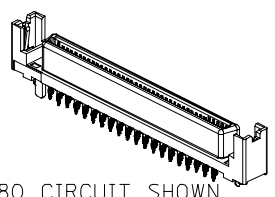
NOTES:

- MATERIAL:**  
HOUSING: I.R. COMPATIBLE POLYMER, GLASS FILLED, UL 94 V 0, BLACK  
TERMINALS: COPPER ALLOY  
BOARDLOCK: COPPER ALLOY
- FINISH:**  
TERMINALS: SELECTIVE GOLD IN CONTACT AREA  
THICKNESS = 30 MICROINCHES / 0.763 MICROMETERS  
SELECTIVE TIN-LEAD IN TAIL AREA  
THICKNESS = 100 MICROINCHES / 2.54 MICROMETERS  
NICKEL UNDERPLATE OVERALL.  
ESD BOARDLOCK:  
TIN OVERALL.
- PRODUCT SPECIFICATION:** PS-73826-0000
- FOUR DIGIT DATE CODE** IN THIS LOCATION (WK YR).
- CONTACT GAP** WILL ACCOMMODATE MATING CONNECTOR OF:  
.063+/- .003 (1.60+/- 0.08)
- PART MATES** WITH ALL PLUGS MFG. IN ACCORDANCE WITH EIA-700A0AE.



SECTION Z-Z  
SCALE - 4:1

2	K
1	K
SHEET REVISION	



80 CIRCUIT SHOWN  
SCALE - 1:1

CLARIFY PCB HOLE	QUALITY SYMBOLS
EC NO: UCP2006-2509	▽=0
DRWN: BARKER 2006/05/01	▽=0
CHKD: BSMART 2006/05/12	
APPR: SMILLER 2006/05/15	
REV	DESCRIPTION
K	

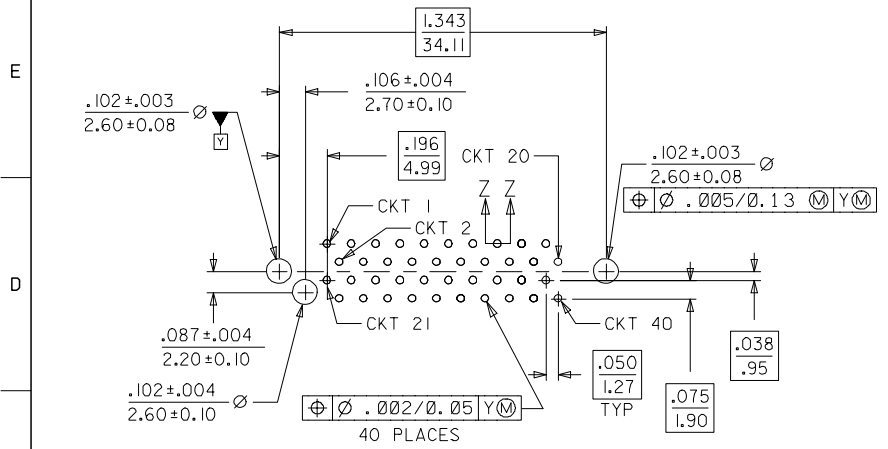
GENERAL TOLERANCES (UNLESS SPECIFIED)
4 PLACES ± --- ± ---
3 PLACES ± --- ± .005
2 PLACES ± 0.13 ± .010
1 PLACE ± 0.25 ± ---
ANGULAR ±1/2°

DIMENSION STYLE	SCALE	DESIGN UNITS
IN/MM	2:1	INCH
DRAWN BY	DATE	TITLE
ACHAMMER	12/09/1997	SALES ASSEMBLY
CHECKED BY	DATE	MOLEX SCA-2
ACHAMMER	02/10/1998	PRESS-FIT RECEPTACLE
APPROVED BY	DATE	MOLEX INCORPORATED
BANAKIS	02/12/1998	
MATERIAL NO.	DOCUMENT NO.	SHEET NO.
SEE TABLE	SD-73826-001	1 OF 2

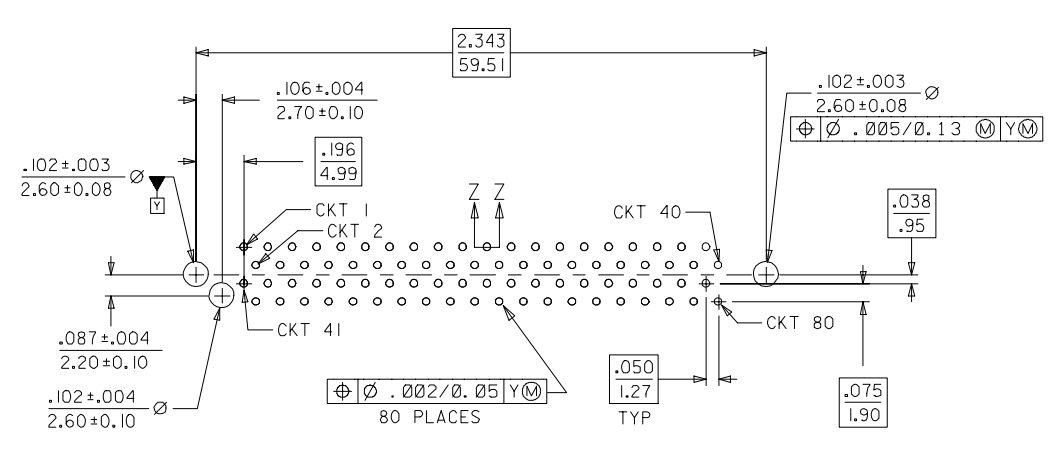
DRAFT WHERE APPLICABLE
MUST REMAIN WITHIN DIMENSIONS
SIZE B

THIS DRAWING CONTAINS INFORMATION THAT IS PROPRIETARY TO MOLEX INCORPORATED AND SHOULD NOT BE USED WITHOUT WRITTEN PERMISSION

MATERIAL NUMBER	CIRCUIT SIZE	DIMENSION A	DIMENSION B	DIMENSION C	DIMENSION D	DIMENSION E	DIMENSION F	DIMENSION P	ADVANCED TERMINALS / CIRCUITS (SECTION Z-Z, SHEET 1)
738260001	80	2.717/(69.0)	2.583/(65.6)	2.025/(51.44)	2.343/(59.5)	1.066/(27.06)	.109/(2.77)	.125/(3.18)	1, 36, 37, 38, 39, 40, 41, 42, 43, 45, 46, 75, 76, 77, 78, 79, 80
738260002	40	1.717/(43.6)	1.583/(40.2)	1.025/(26.04)	1.343/(34.1)	.566/(14.38)	.109/(2.77)	.125/(3.18)	21, 22, 23, 26, 29, 32, 35, 36, 37, 38, 39, 40
738260003	80	2.717/(69.0)	2.583/(65.6)	2.025/(51.44)	2.343/(59.5)	1.066/(27.06)	.109/(2.77)	.135/(3.43)	1, 36, 37, 38, 39, 40, 41, 42, 43, 45, 46, 75, 76, 77, 78, 79, 80
738260004	40	1.717/(43.6)	1.583/(40.2)	1.025/(26.04)	1.343/(34.1)	.566/(14.38)	.109/(2.77)	.135/(3.43)	21, 22, 23, 26, 29, 32, 35, 36, 37, 38, 39, 40

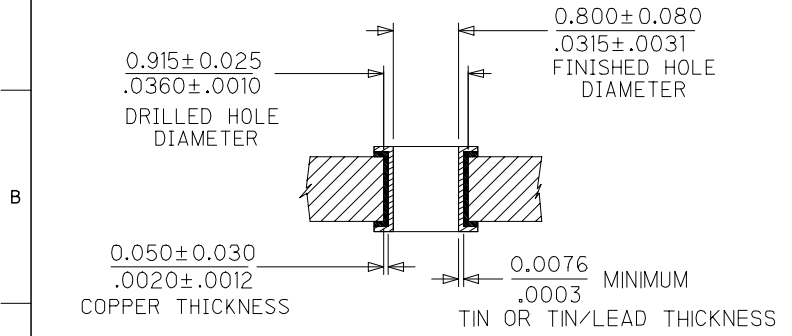


PCB LAYOUT FOR 40 CIRCUIT COMPONENT SIDE

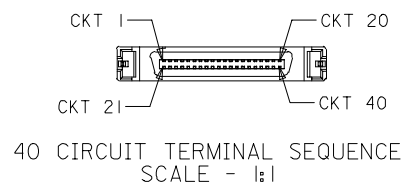


PCB LAYOUT FOR 80 CIRCUIT COMPONENT SIDE

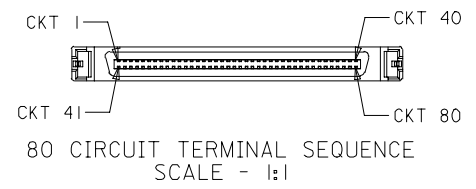
RECOMMENDED BOARD THICKNESS = .093



NOTE: SECTION Z-Z - RECOMMENDED PCB HOLE CONFIGURATION  
 THE DRILLED HOLE SIZE IS BASED ON THE RECOMMENDED PLATING AND THICKNESSES. IF OTHER PLATING TYPES AND/OR THICKNESSES ARE USED, A DRILL SIZE THAT WILL RESULT IN THE FINISHED HOLE SIZE INDICATED WILL NEED TO BE USED.



40 CIRCUIT TERMINAL SEQUENCE SCALE - 1:1



80 CIRCUIT TERMINAL SEQUENCE SCALE - 1:1

REV	DESCRIPTION	QUALITY SYMBOLS	GENERAL TOLERANCES (UNLESS SPECIFIED)		DIMENSION STYLE		SCALE	DESIGN UNITS	THIRD ANGLE PROJECTION	
			mm	INCH	IN/MM	DATE				
		▽=0	4 PLACES	± ---	± ---	DRAWN BY	12/09/1997	SALES ASSEMBLY MOLEX SCA-2 PRESS-FIT RECEPTACLE	MOLEX MOLEX INCORPORATED	
		▽=0	3 PLACES	± ---	± .005	CHECKED BY	DATE			
			2 PLACES	± 0.13	± .010	ACHAMMER	02/10/1998			
			1 PLACE	± 0.25	± ---	APPROVED BY	DATE			
			ANGULAR ±1/2°			BANAK IS	02/10/1998			
			DRAFT WHERE APPLICABLE MUST REMAIN WITHIN DIMENSIONS			MATERIAL NO.	DOCUMENT NO.		SHEET NO.	
						SEE TABLE	SD-73826-001		2 OF 2	
			THIS DRAWING CONTAINS INFORMATION THAT IS PROPRIETARY TO MOLEX INCORPORATED AND SHOULD NOT BE USED WITHOUT WRITTEN PERMISSION							